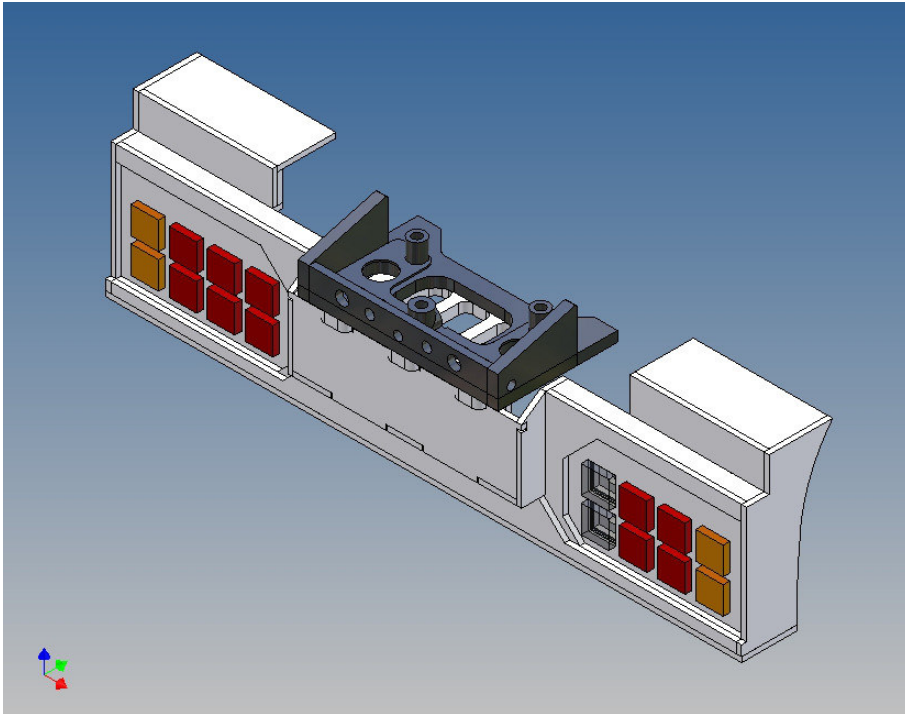


Assembly Instruction

Bumper Kit Lego 2x8-8 for TAMIYA 2-axle trucks (1: 14)

Best.-Nr.: 2016-9501-L8-8



Version 1.0 – 20.06.2016

General Description

This polystyrene-milled parts set for a bumper as an accessory was designed for the TAMIYA trucks (1: 14).

The bumper can be mounted on the vehicle frame. The original Tamiya Traverse is replaced by an included specially built Traverse.

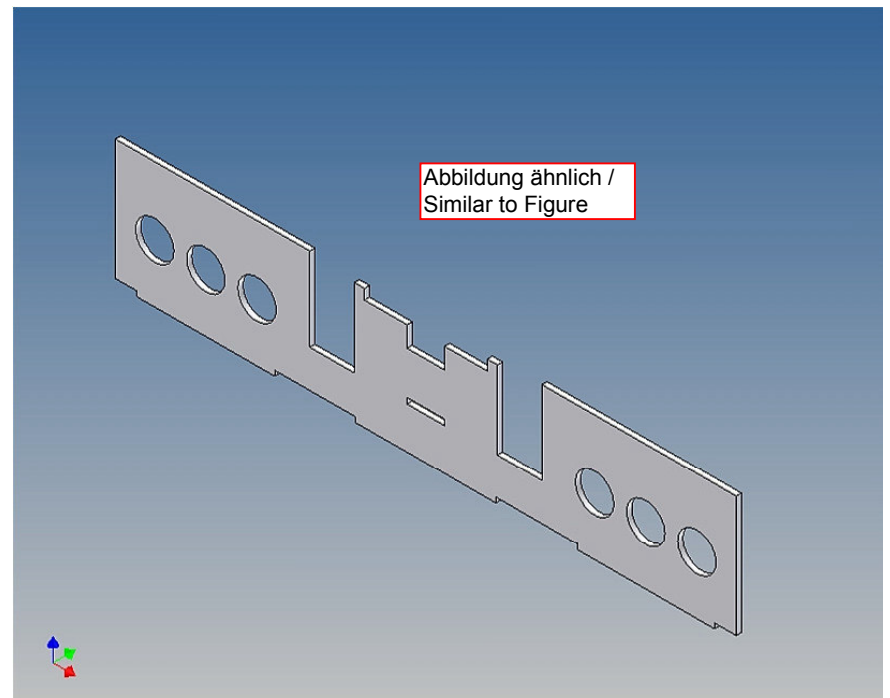
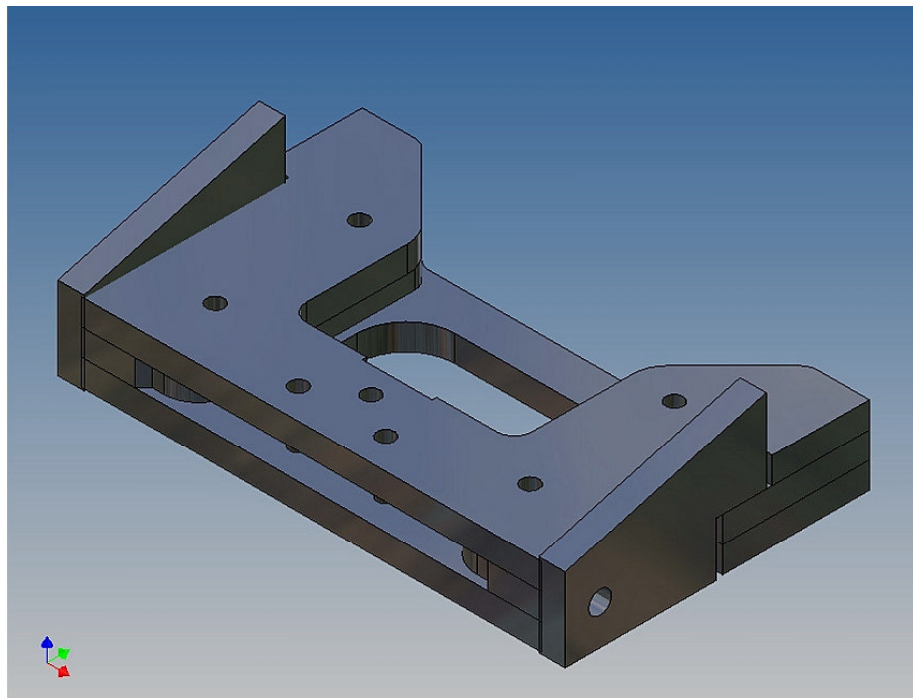
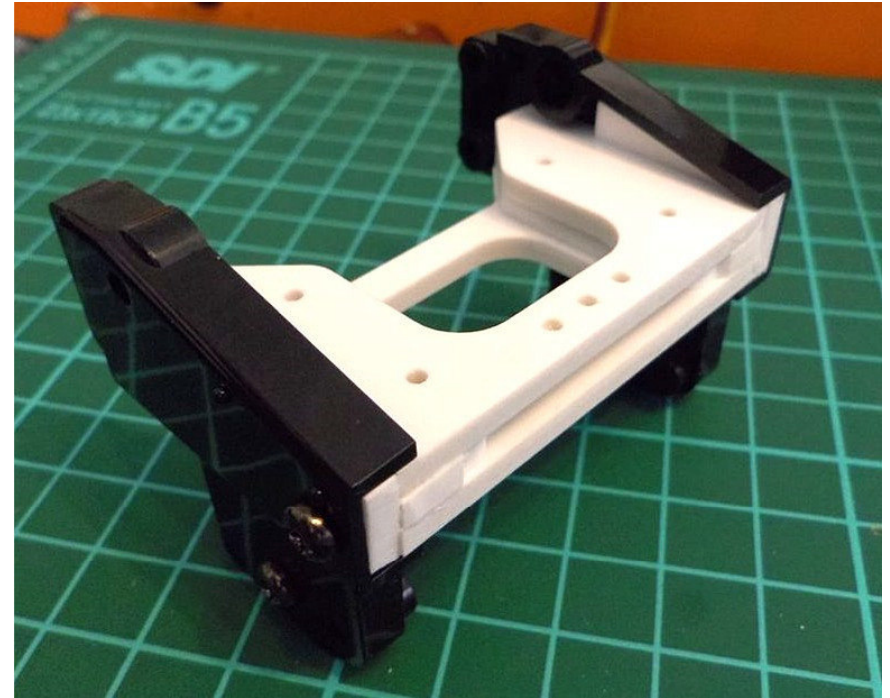
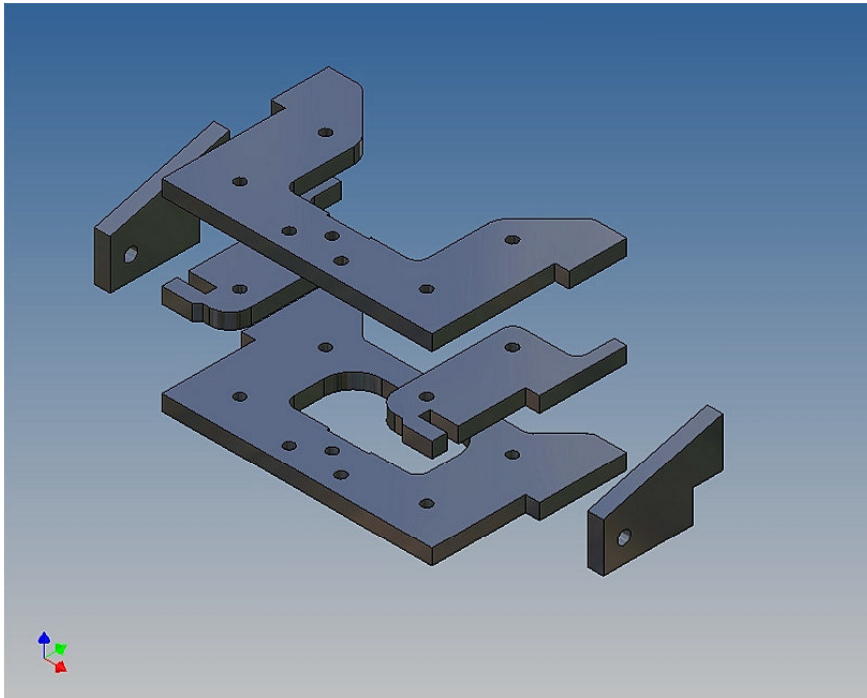
There are plates for eight 3mm LEDs and colored Lego bricks as a lamp cover included.

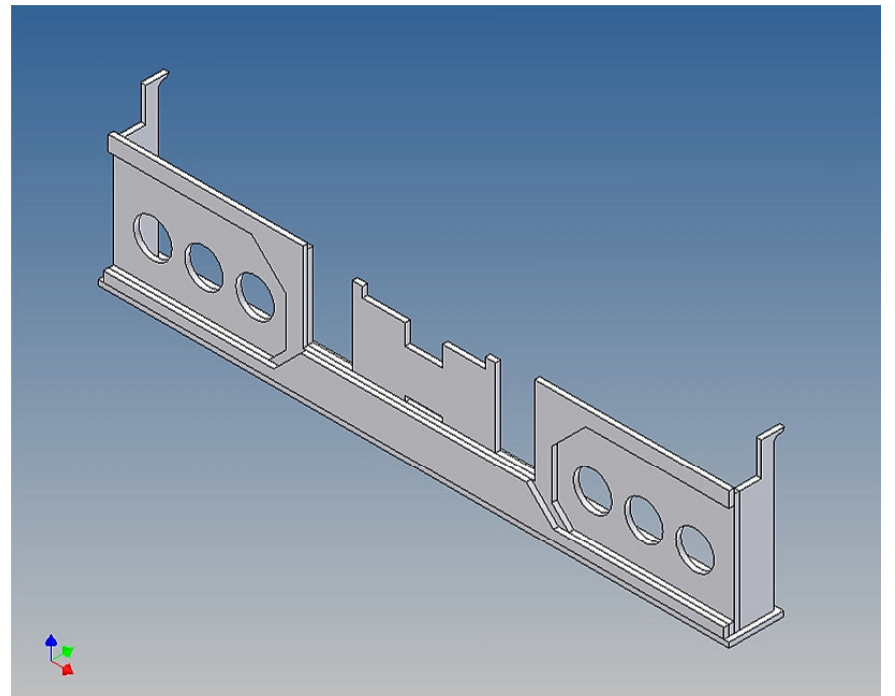
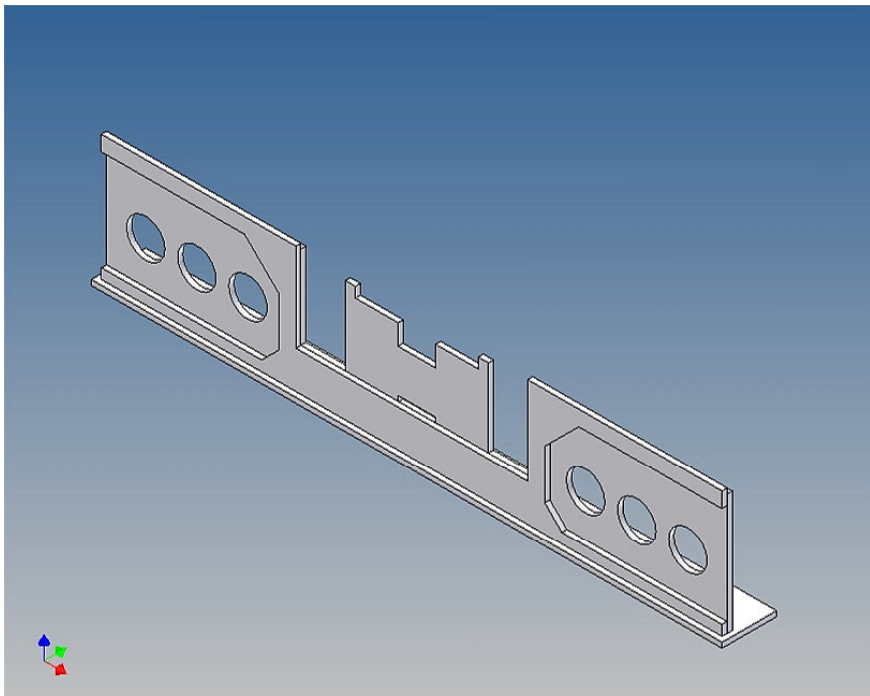
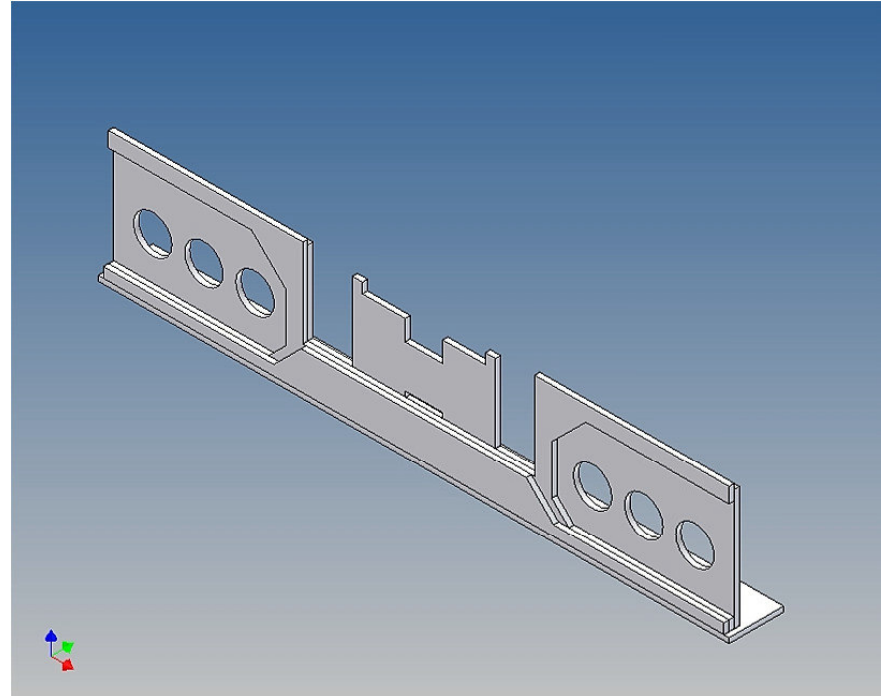
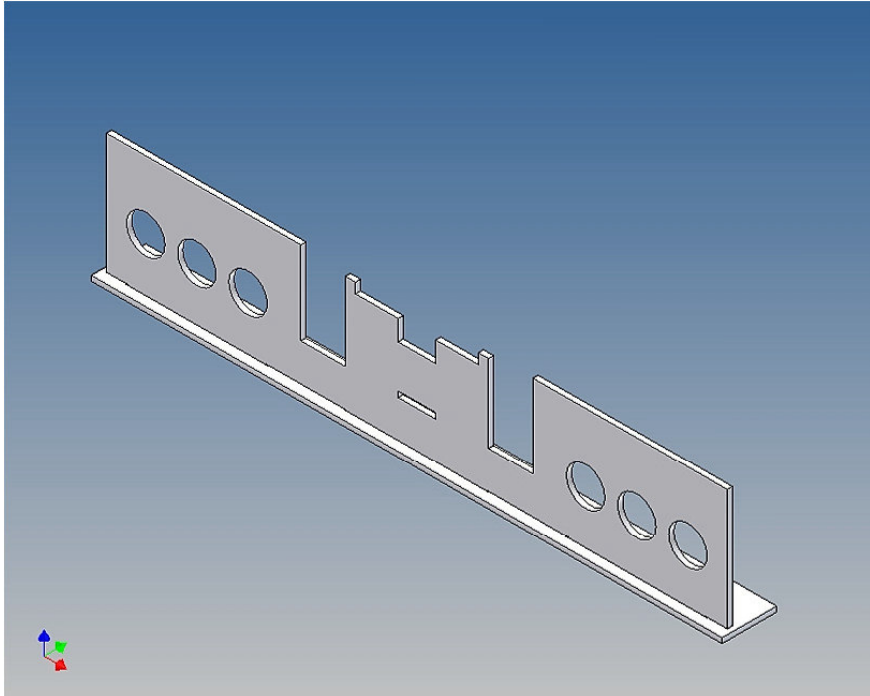
Assembly Procedure

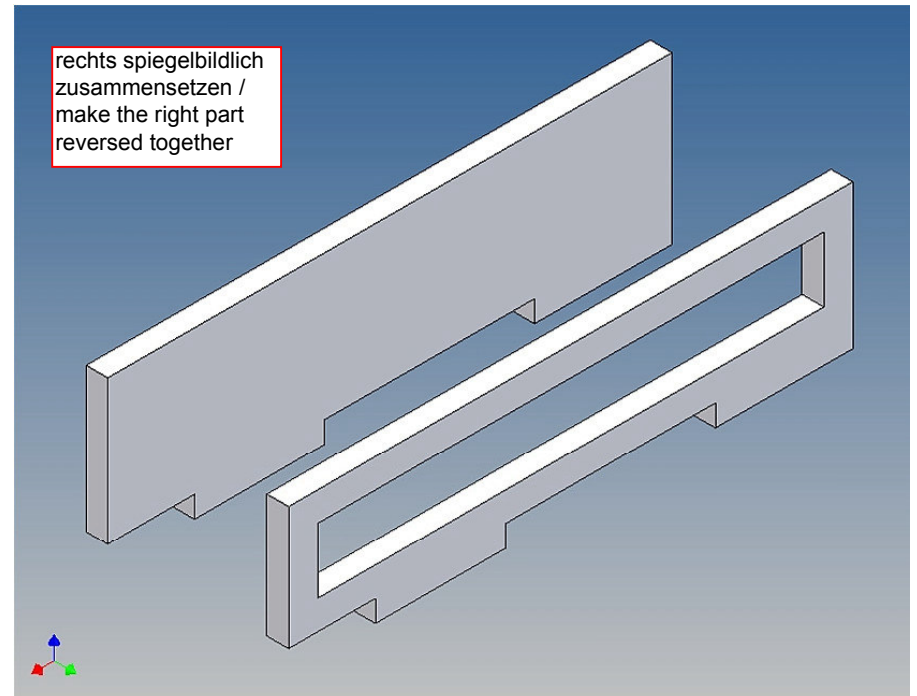
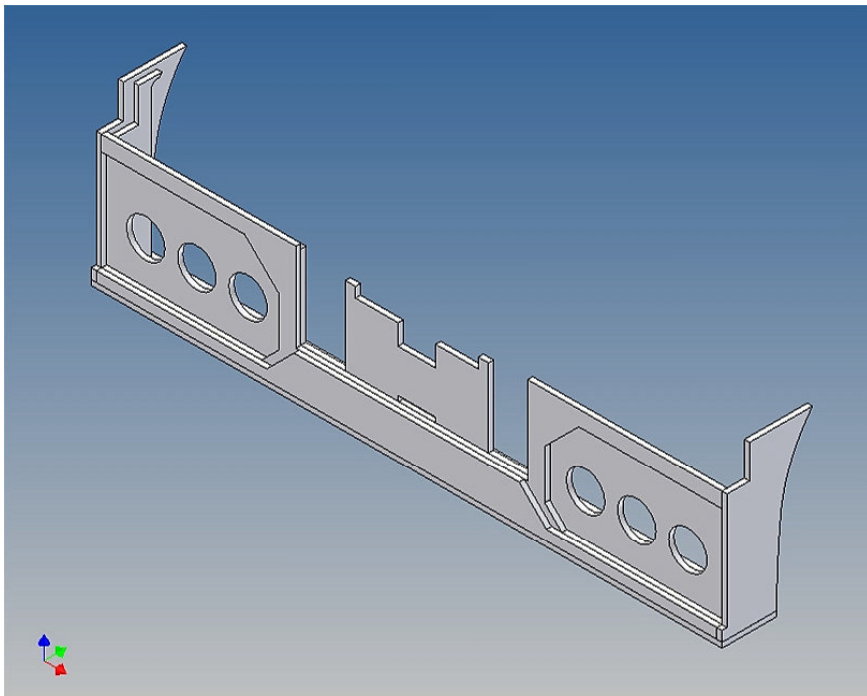
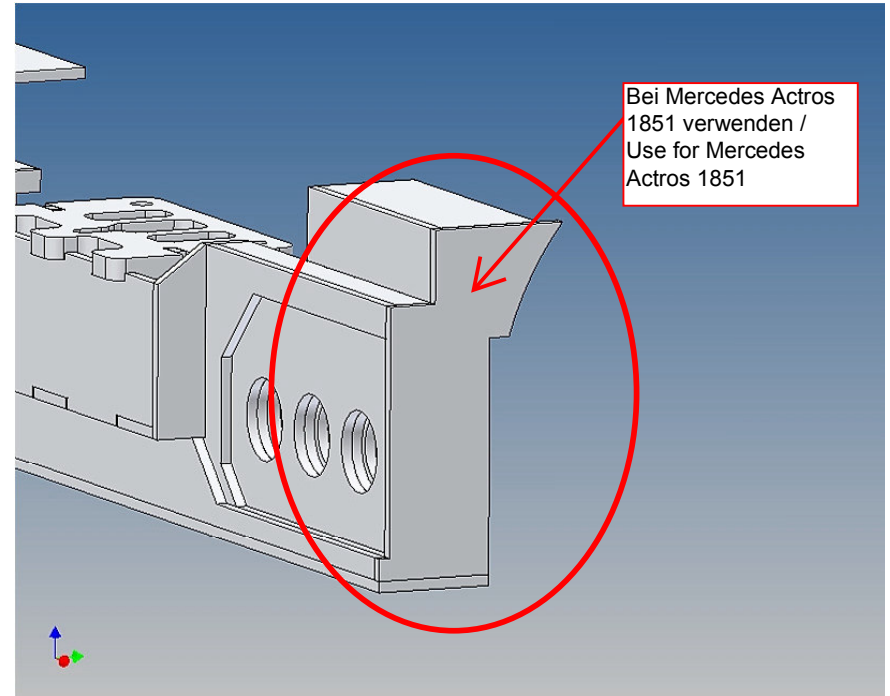
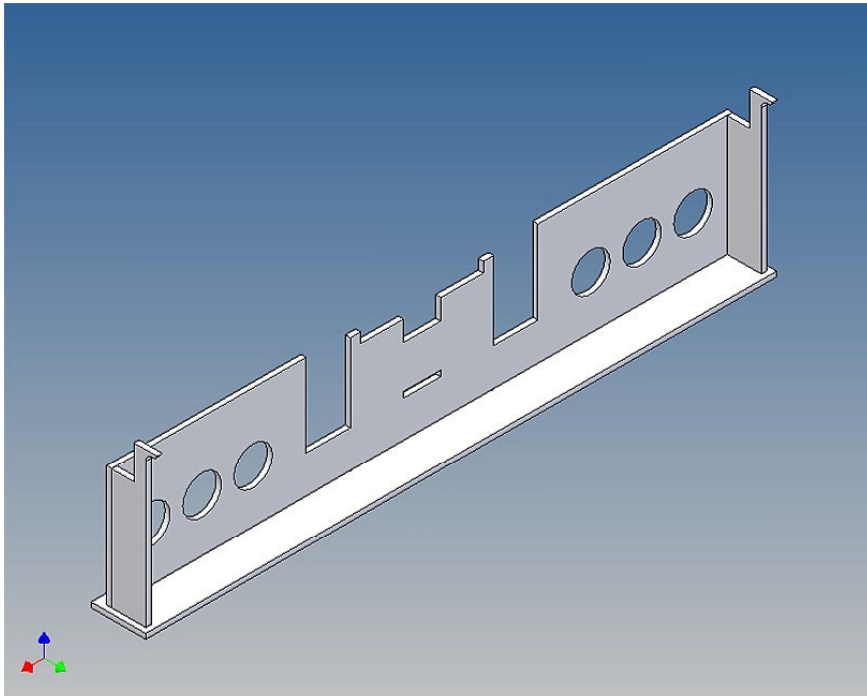
Before you put the parts together please read the assembly instructions carefully and pay attention to the assembly sequence and test the fitting accuracy of the parts before gluing them together.

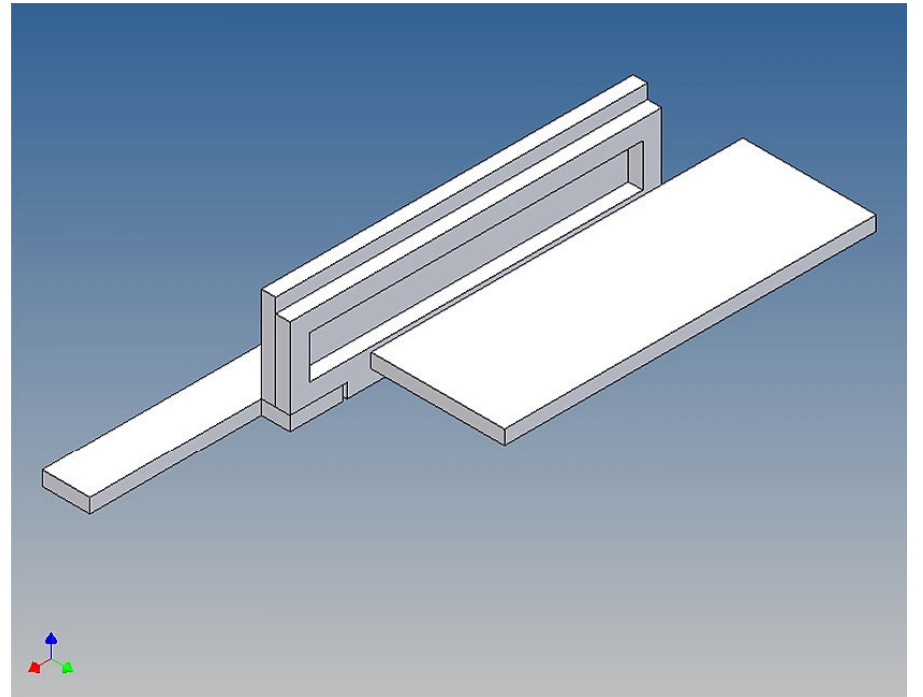
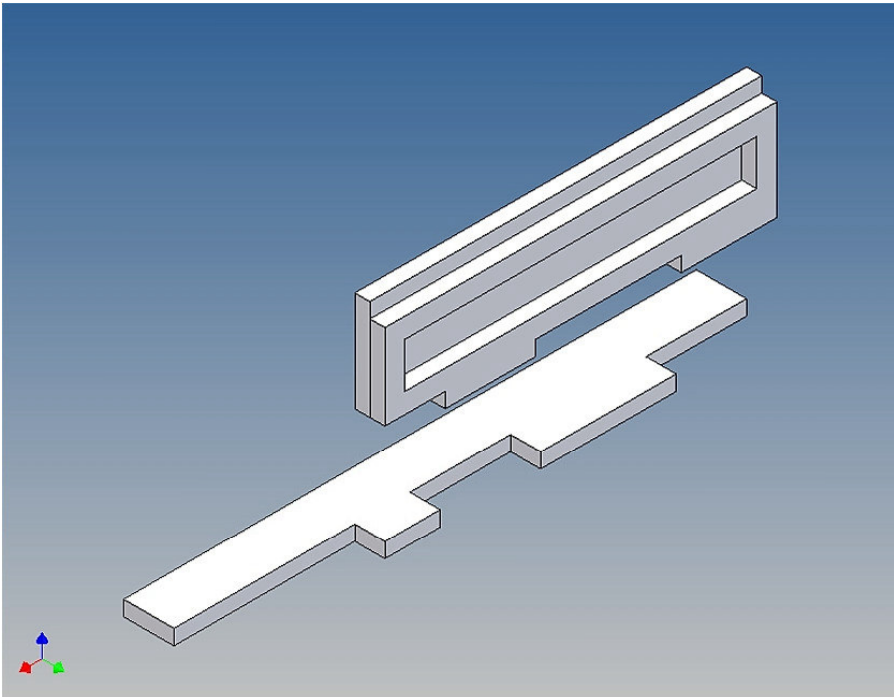
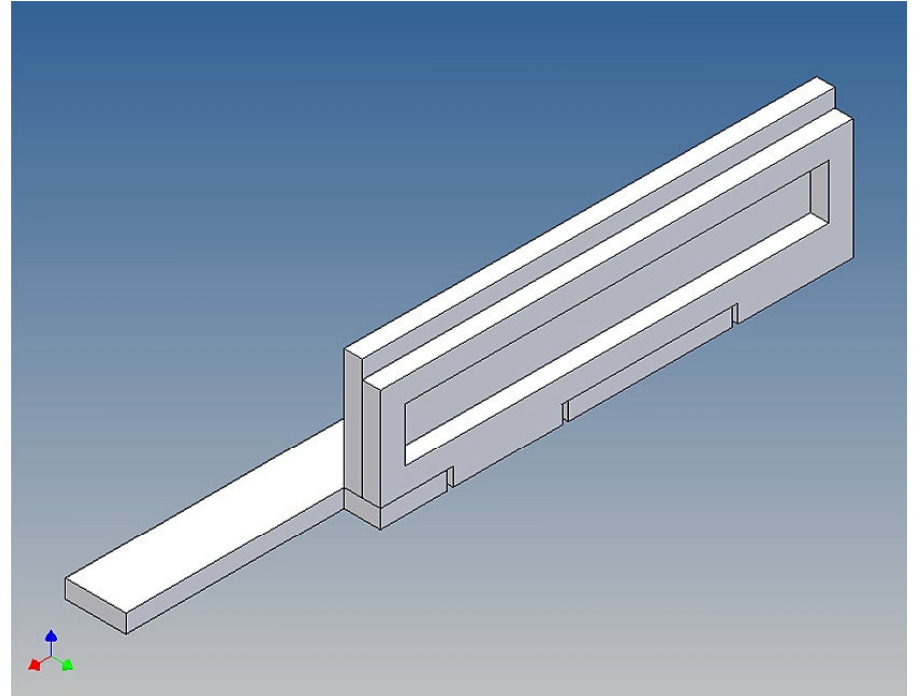
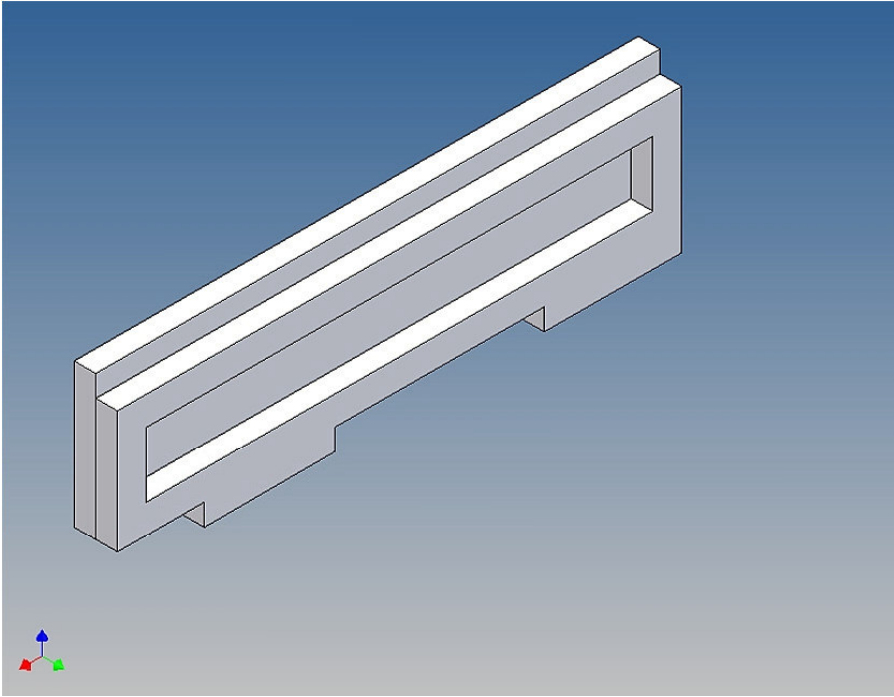
It is helpful to fix the parts at first only on a few points with super-glue and after a check along the edges fully with super-glue or a polystyrene-glue.

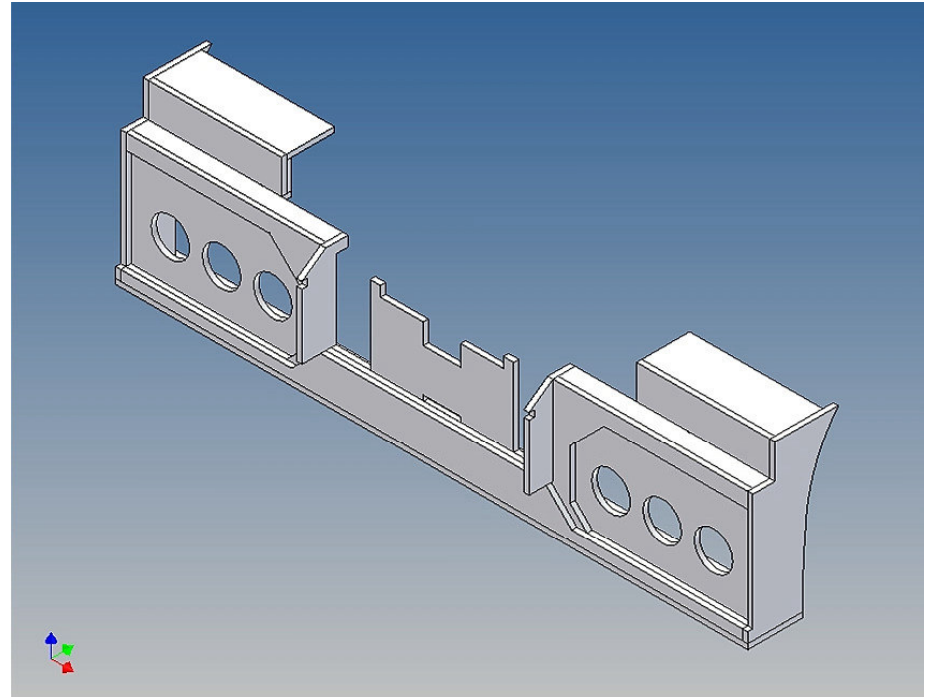
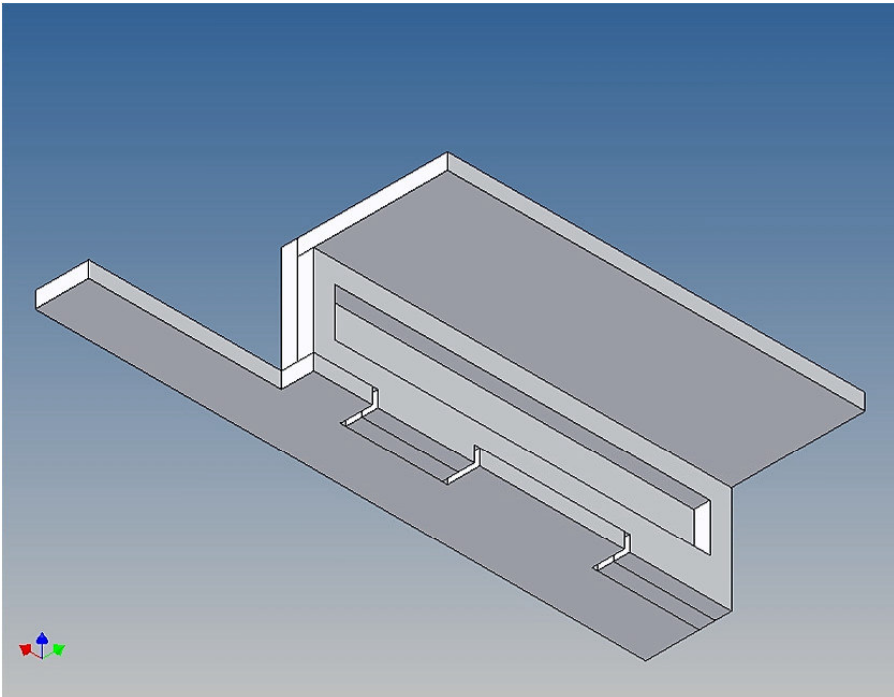
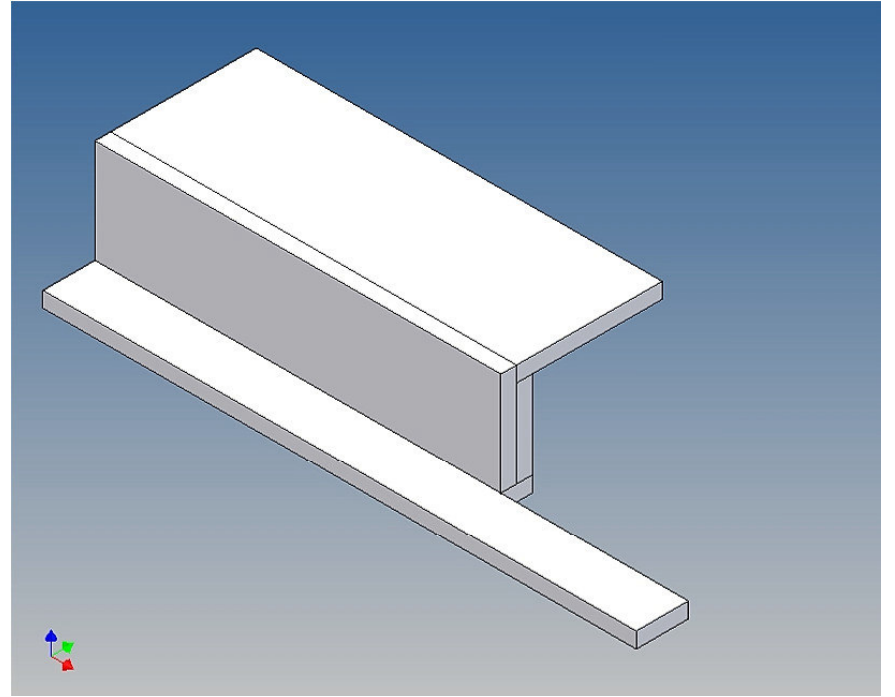
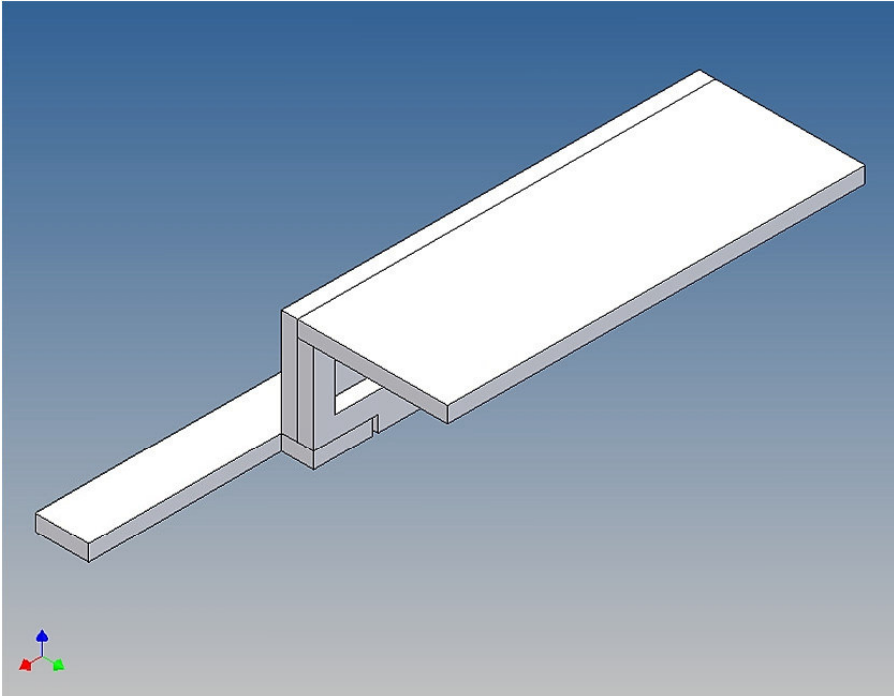
The parts are made of polystyrene, if you use super-glue in combination with activator spray, please be aware that the activator spray can destroy polystyrene – because of that you should use it very carefully or use only polystyrene-glue.

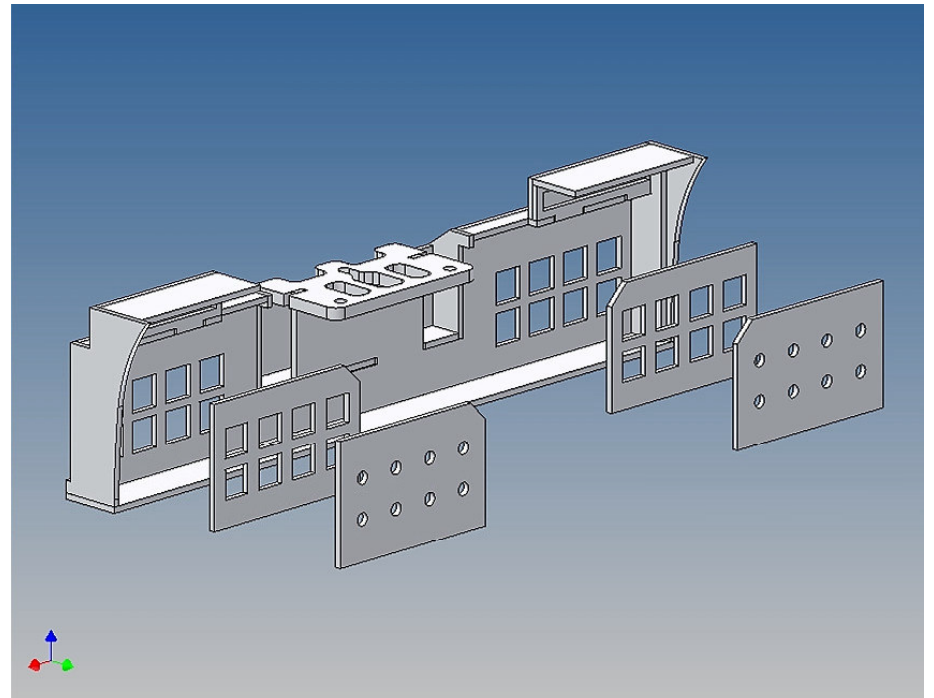
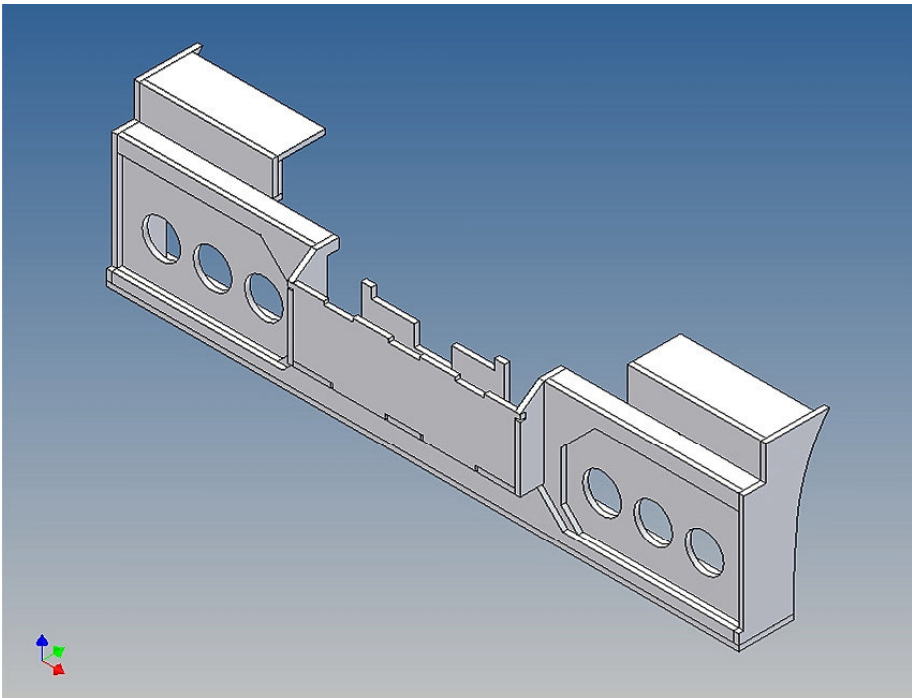
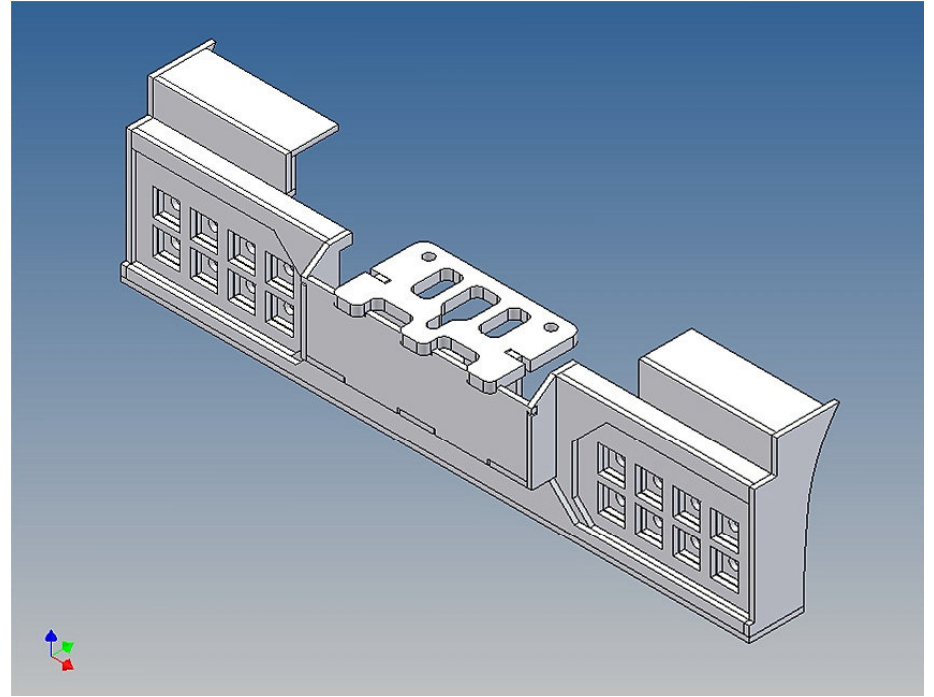
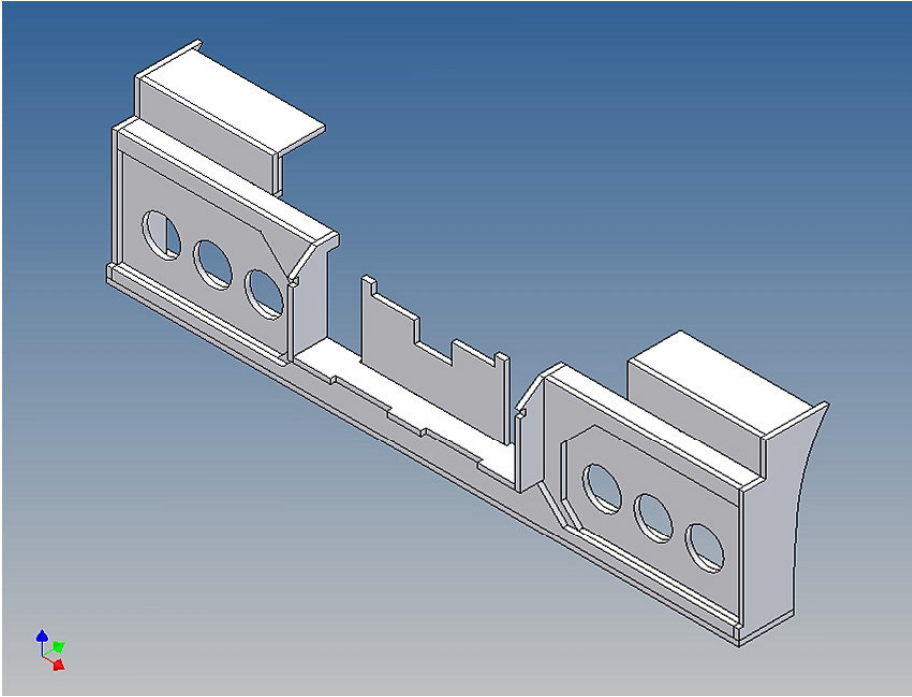


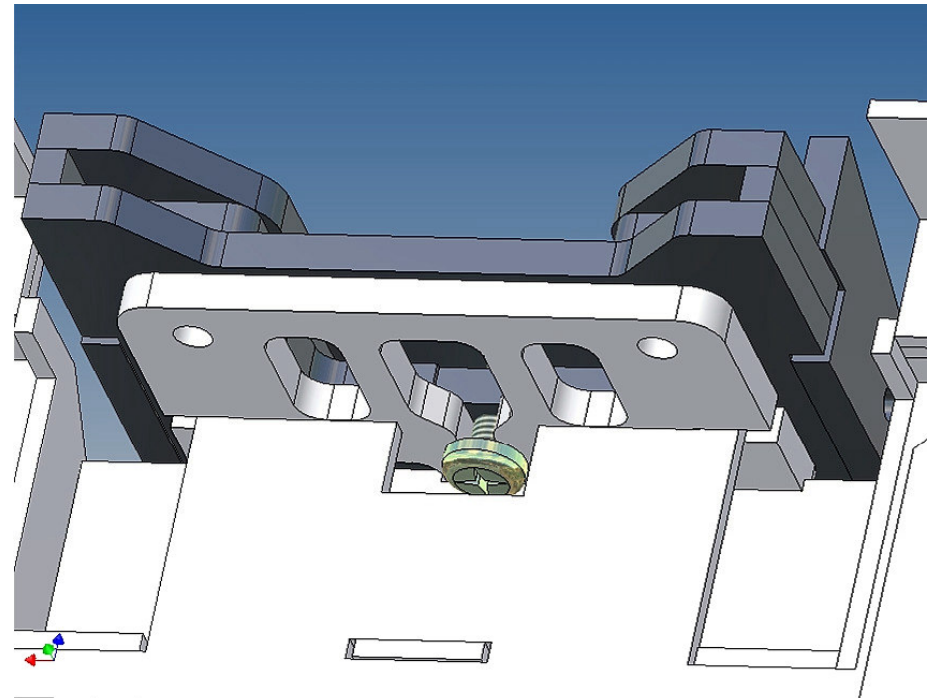
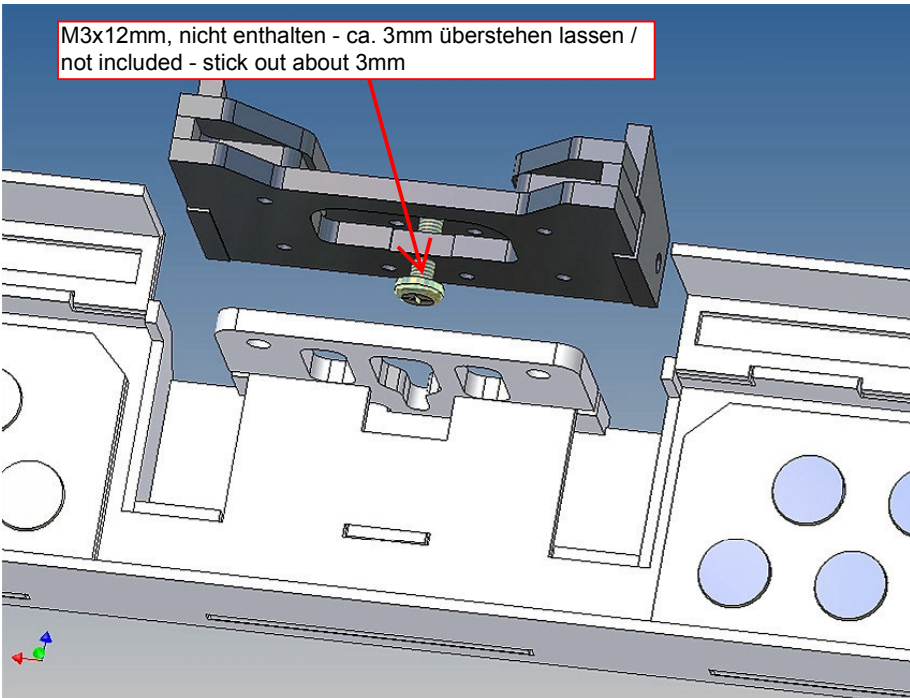
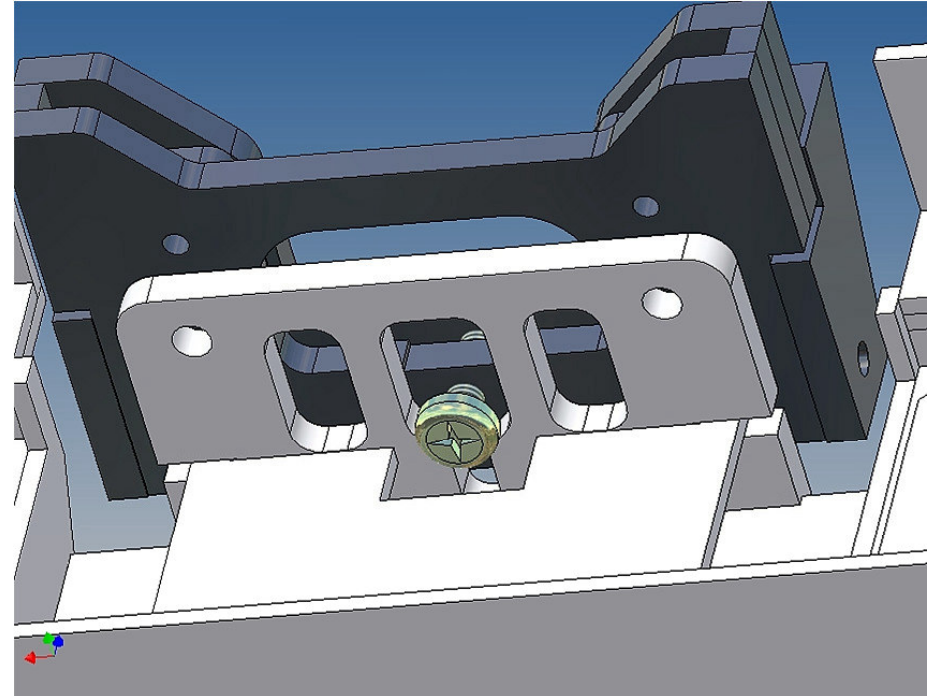
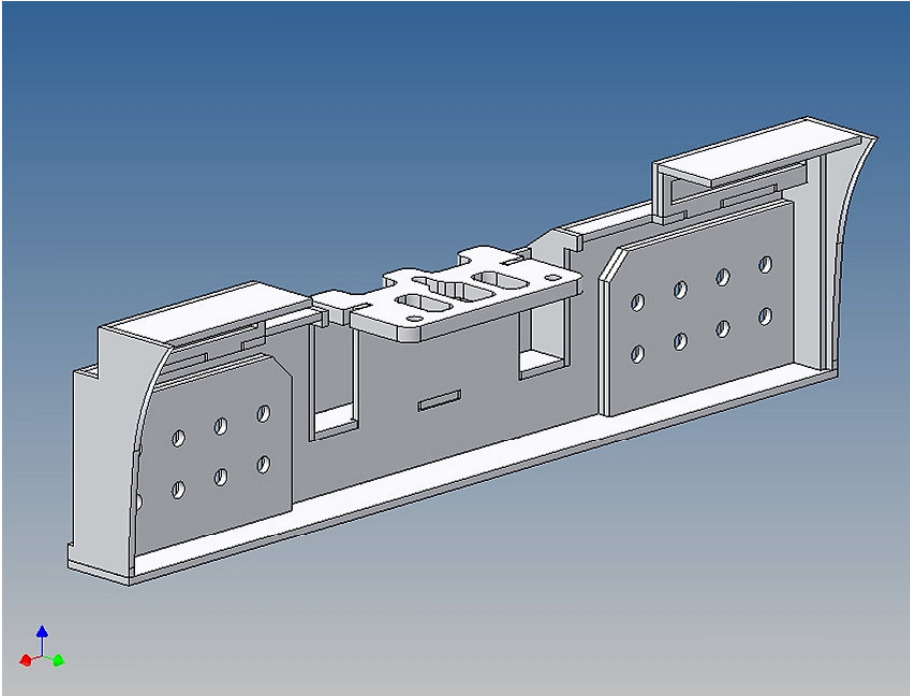


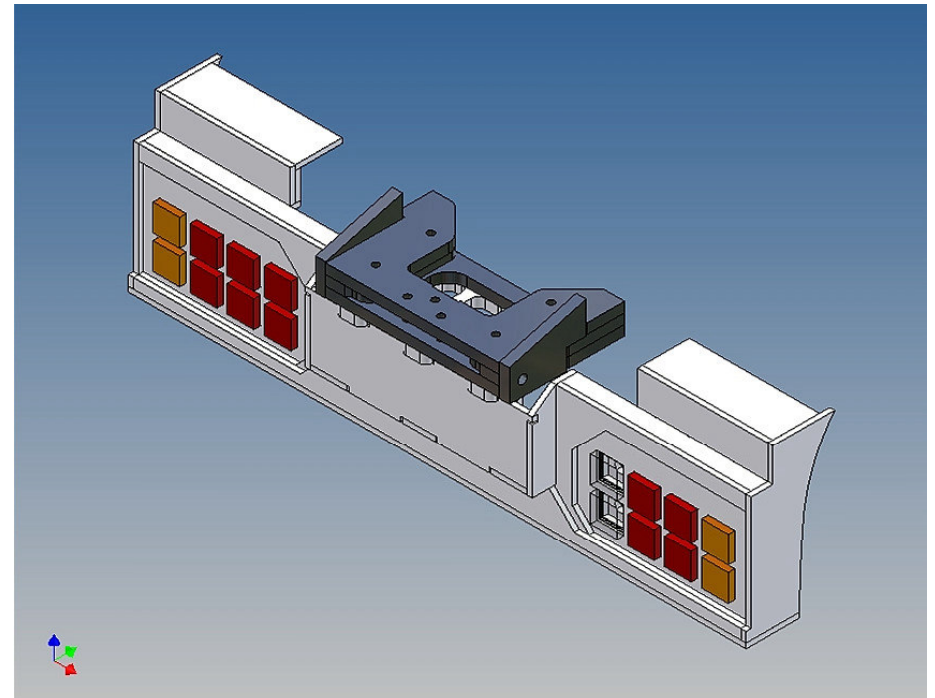
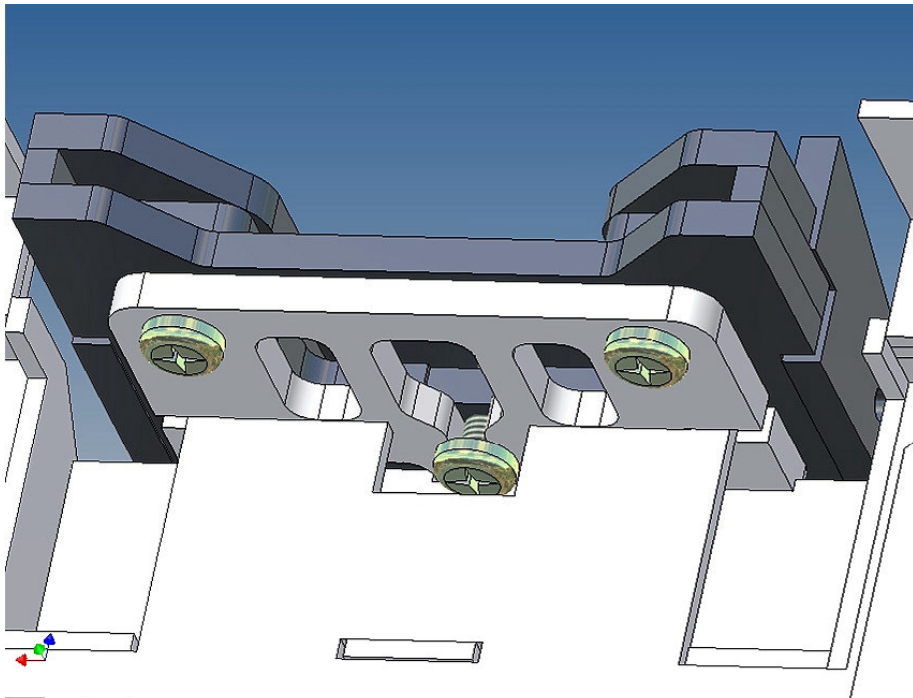
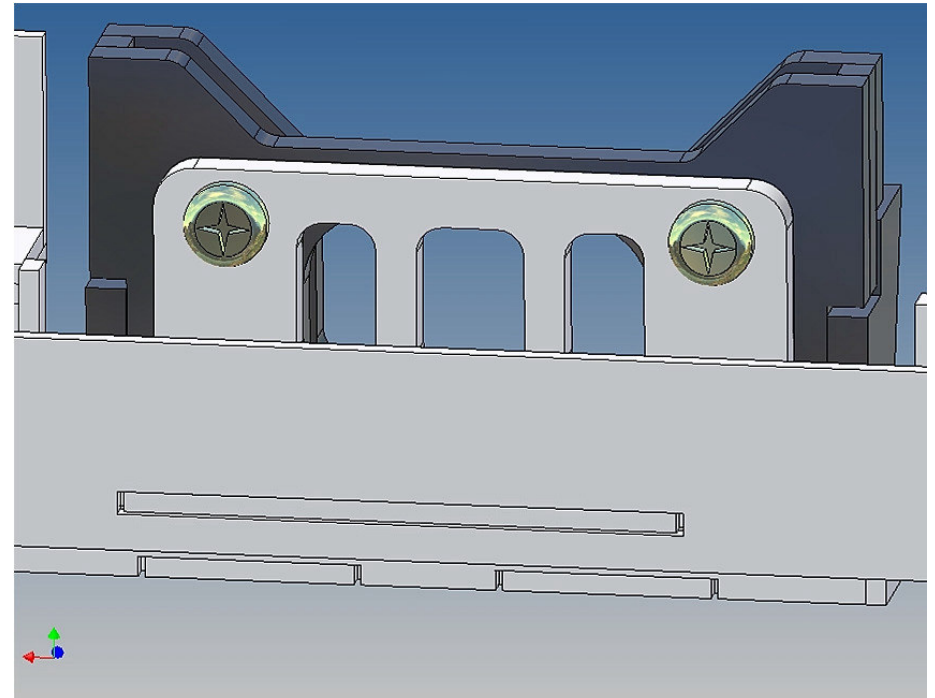
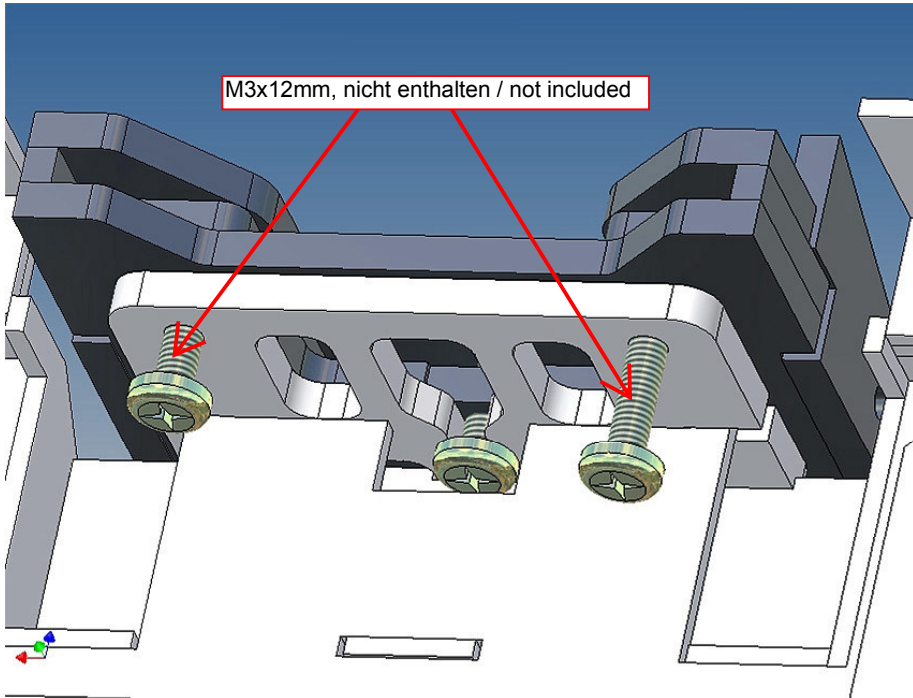












Annotation:

Good luck and have fun - your MDTechShop team

www.MDTechShop.de

For questions or replacement part requests please send a short e-mail.

Warning:

This is not a toy! It contains small parts! Keep it away from young children!